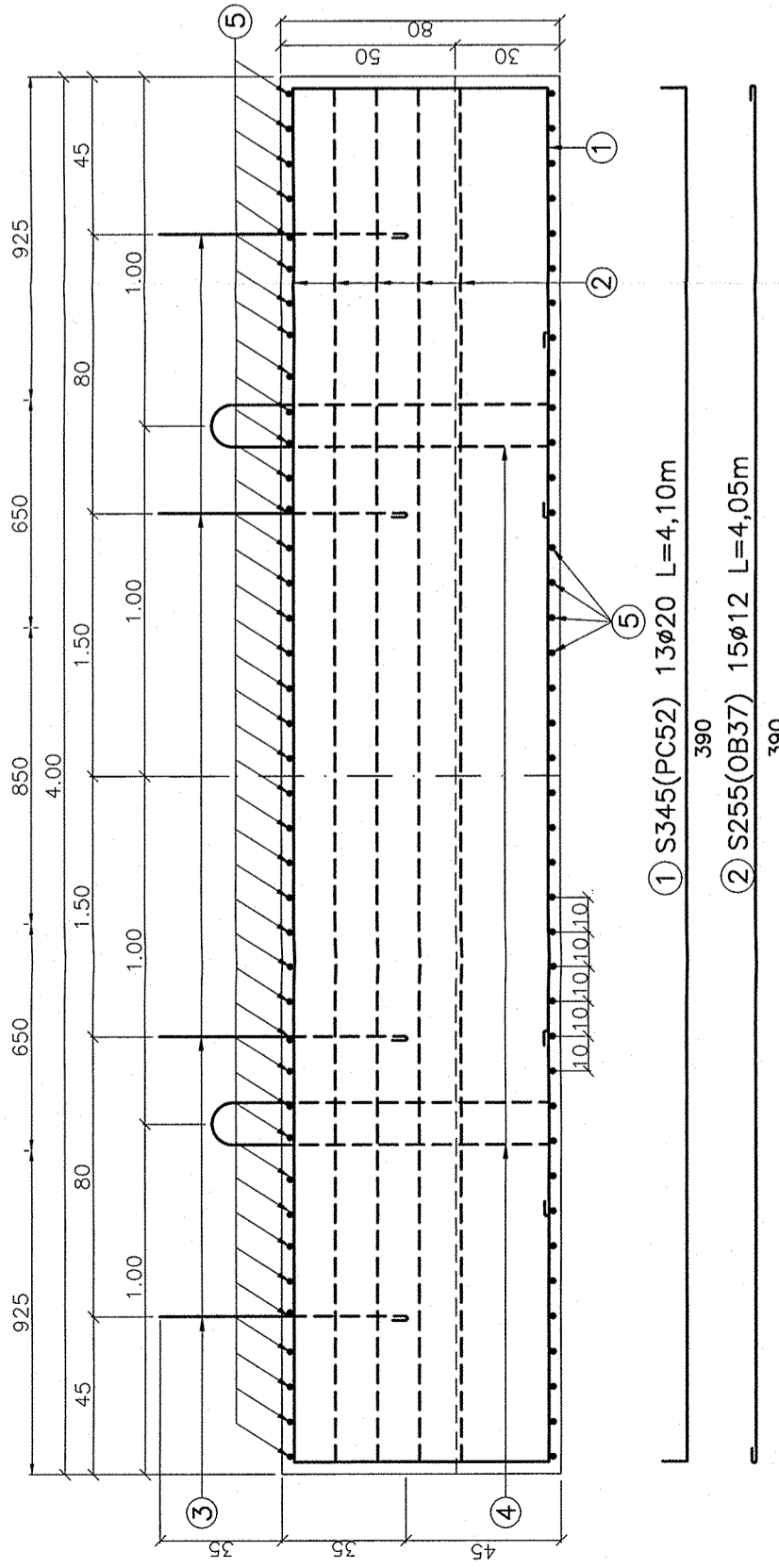
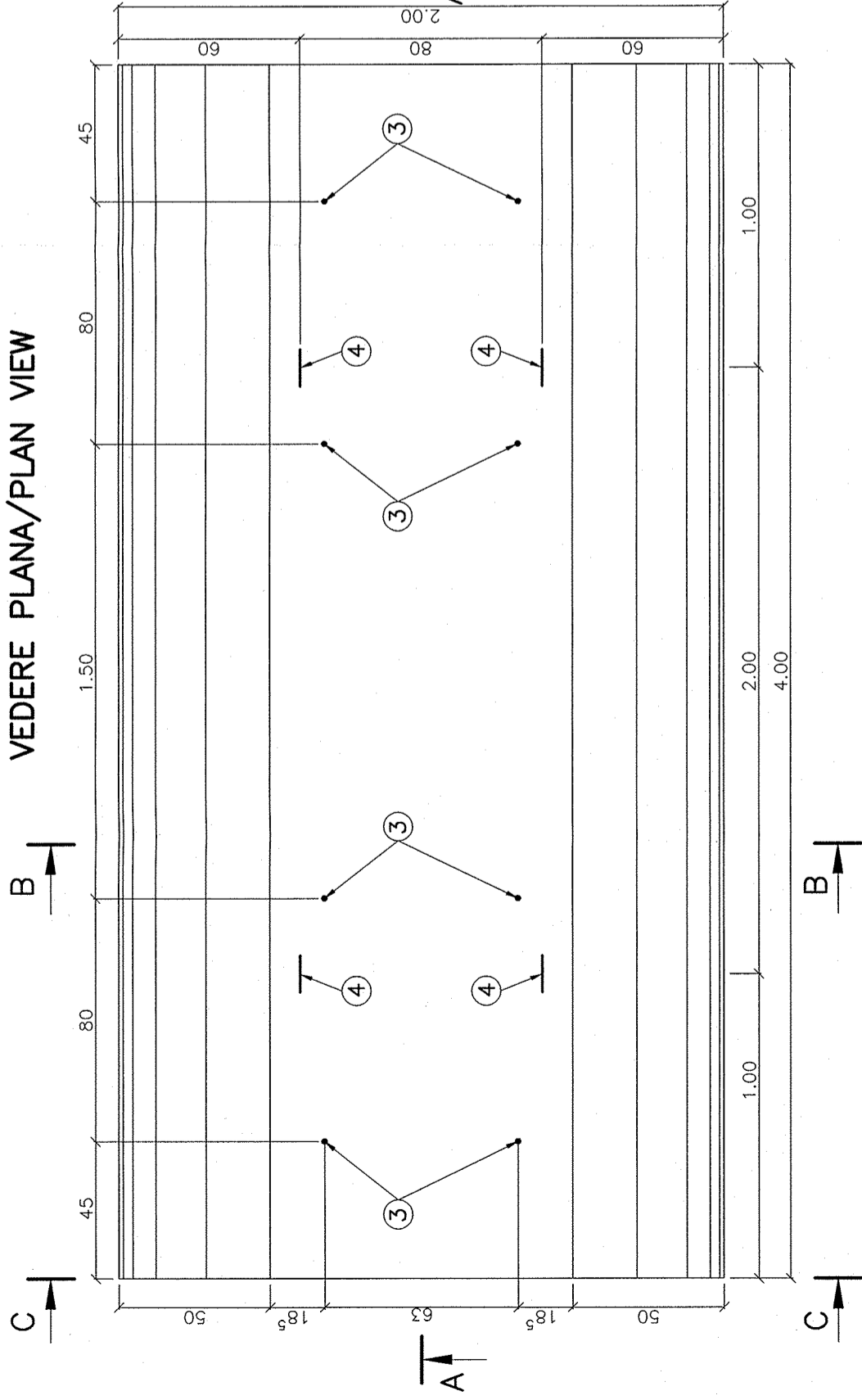


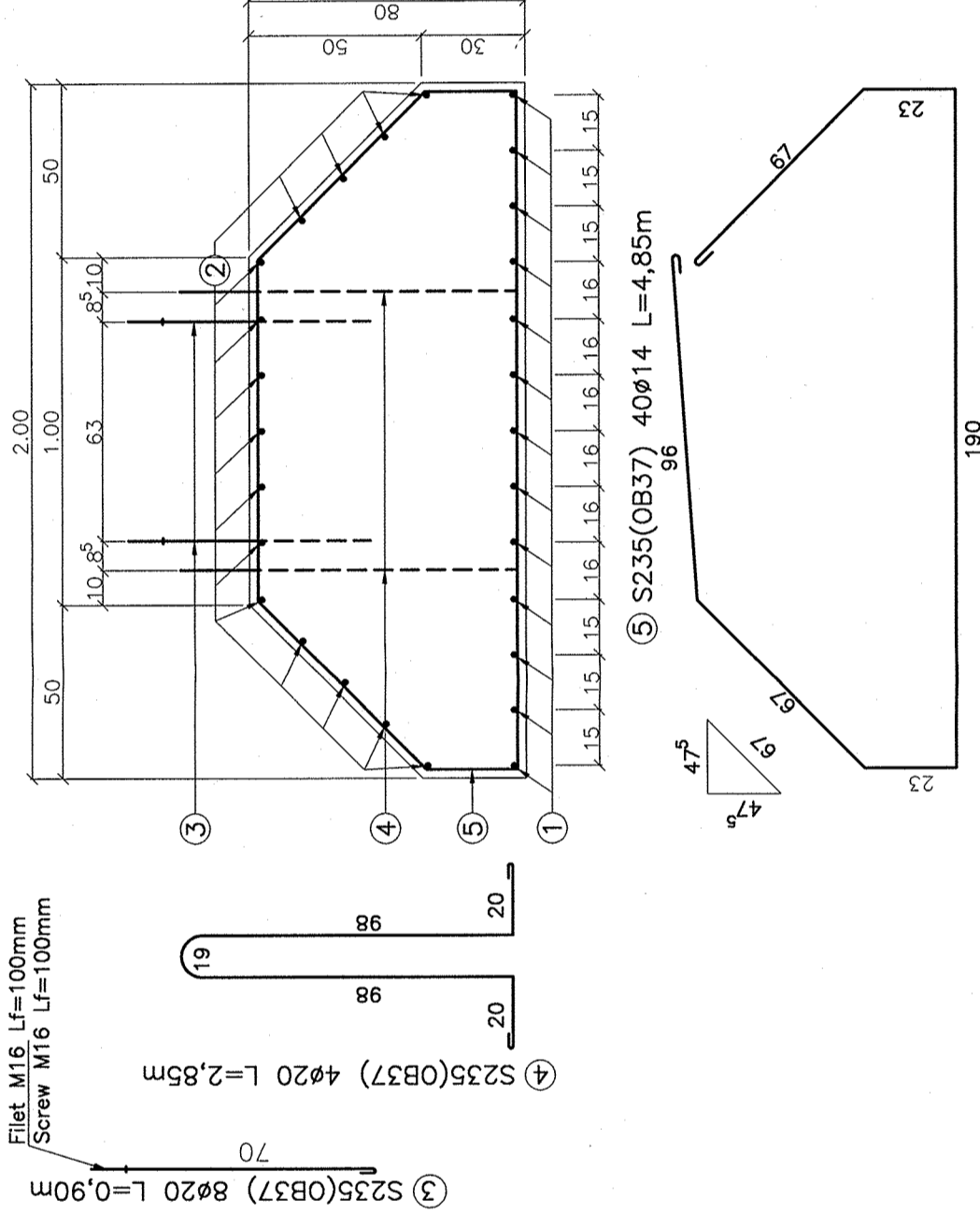
SECTIUNE/SECTION A-A



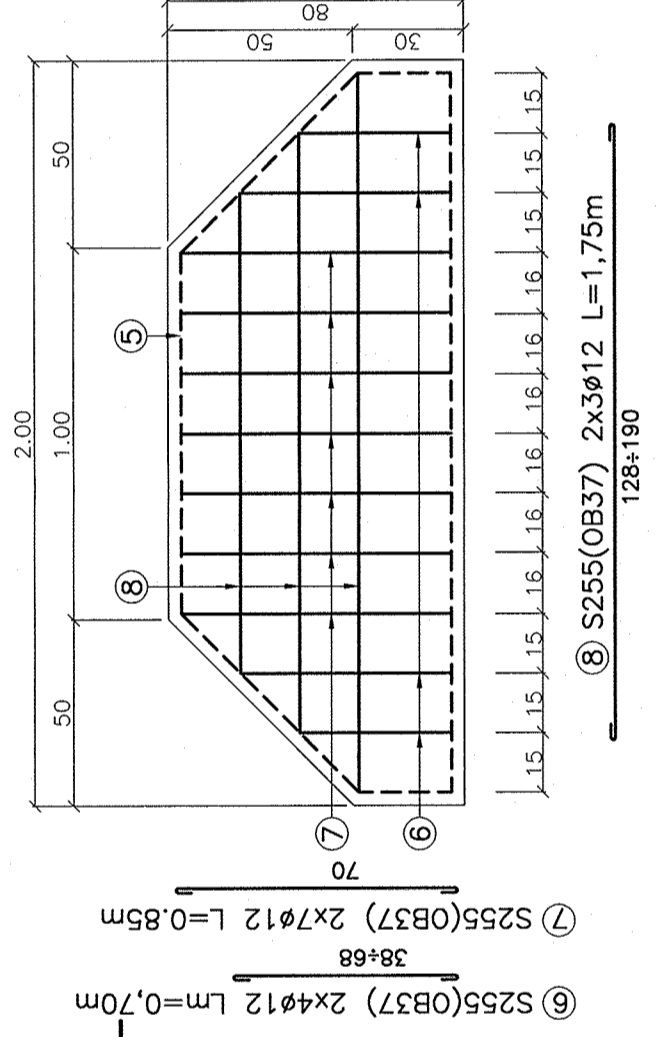
VEDERE PLANA/PLAN VIEW



SECTIUNE/SECTION B-B



SECTIUNE/SECTION C-C

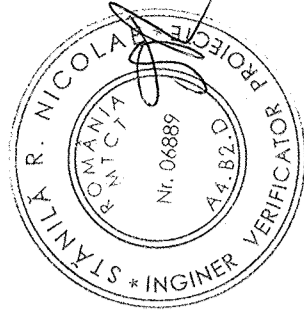


EXTRAS DE ARMATURA PENTRU O FUNDATIE  
REINFORCEMENT TABLE FOR ONE FOUNDATION

Marca / Marka	Diametru / diametre meter	Bucati / Pieces	Lungime / Length	Lungime pe Diametru / Length per diameter	
				S255-S235(OB 37)	S245(PC52)
1	20	13	4.10	$\phi$ 20	53.30
2	12	15	4.05		
3	20	8	0.90	7.20	
4	20	4	2.85	11.40	
5	14	40	4.85	194.00	
6	12	8	0.70		
7	12	14	0.85		
8	12	6	1.75	10.50	
Total Lungime / (Total length)			194.00	18.60	53.30
Masa pe metru / (Weight per meter)			0.888	2.466	2.466
Masa pe diametre (Weight per diameters)			79.00	235.00	132.00
Greutate armatura pe tip oel / (Reinforcement weight for type steel)				360.00	132.00
Greutate armatura (Reinforcement weight)				492.00	

Cofraj  
(Shuttering)  
Beton C20/25  
(Concrete C20/25)  
Greutate  
(Weight)  
Armatura  
(Reinforcement)  
Puiute M16  
(Screw)  
Acoperire beton  
(Cover concrete)

20.04mp  
5.40mc  
13.50t  
S255-S235(OB37),  
S245(PC52)  
8buc.  
5 cm



B			
A			
Data / Date		Modificare / Revision	
BENEFICIAR / BENEFICIARY		AUTORITATEA DE IMPLEMENTARE / IMPLEMENTUNG AUTHORITY	
ROMANIAN RAILWAY NATIONAL COMPANY Ministerul Transporturilor Ministry of Transport		AUTORITATEA CONTRACTANTA / CONTRACTING AUTHORITY CFCU Ministerul Economiei si Finantelor Ministry of Economy and Finance Phase Payments & Contracting Office	
prontec		EUROPEAN UNION POS Transport 2007-2013	
Ing. Cosmin Coteanu		PORTOFOLIUL DE PROIECTE PHARE CES 2005 / PHARE CES 2005 PROJECTS PORTFOLIO LOT 1	
Ing. Ioan Dachin		Asistenta tehnica pentru pregatirea unor lucrari de reabilitare pentru tuneluri si poduri de cale ferata Technical assistance for preparing rehabilitation works required by railway tunnels and bridges	
Ing. Stelian Vara-Oros		Denumire desen / Drawing Title : Pod / Bridge km 20-474 ARMARE FUNDATIE Sursa de finantare / Funding Source : Pod / Bridge km 20-474 ARMARE FUNDATIE	
Data / Date : 05.2009		Cod desen / Drawing Code : PD 4	
Scara / Scale : 1:20		Nr. / No. : 12	